



## For sophisticated architectures

Companies, cultural institutions and public facilities increasingly want to systematically register the presence of employees and visitors in order to automate certain processes and increase the security of their premises. Whereby the design of the access control system plays a central role in more sophisticated work and experience environments. As one of the first stations on the way into the building it should underline the architectural aspiration and provide those entering with a friendly reception.

The mTripod pedestrian gate from Magnetic was designed for precisely these applications. With its extremely slender design,

its curved lines, and its unusual illumination at the base and on the frame edges it is ideal for integration in sophisticated architectures whilst, at the same time, the material mDure makes a unique impression on first contact. Instead of cold and hard like stainless steel, mDure feels soft and comfortable, emphasising the open character of the new generation of products.

Standards, however, are also set beneath the smart outer skin. With its intuitive control system, extraordinary range of functions, and future-oriented connectivity, the mTripod redefines access control systems.



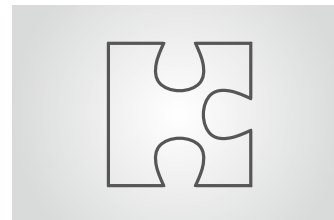
### Award-winning design

mTripod's use in high-quality environments was a central focus during its development. The design, which has already won the German Design Award, blends in perfectly in modern architecture.



### Comprehensive functions

Discreet illumination, interlocking to prevent unauthorised entry, drop-arm for maximum safety – the mTripod has numerous unique functions. Features such as error logging and a random generator are already part of the basic functionality.



### Complete solutions

Magnetic offers you everything from a single source: mTripod pedestrian gate, the appropriate MPS swing gates for barrier-free access, and mGuide railing elements.



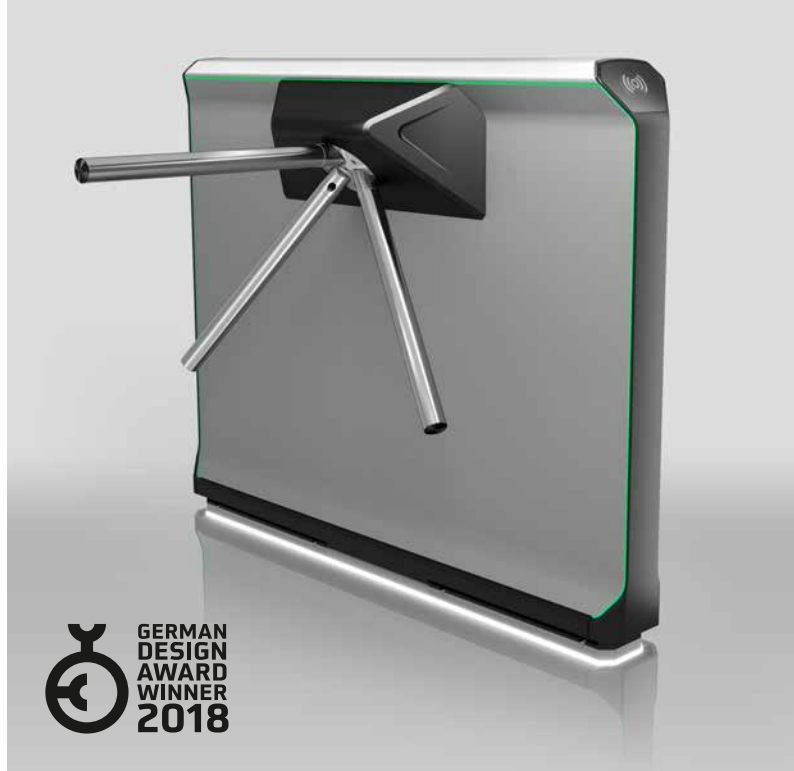
### Direct control

The integrated display allows all settings to be made directly via the control system – without any adapter cable and notebook. System diversity and training expenditure are considerably reduced because we also use the MGC control system in our vehicle barriers.

# mTripod

## Turnstile



- > Revolutionary design, won German Design Award 2018
- > Extensive functions and intuitive operation
- > Drop-arm mechanism (optional) permits passage during power outages or alarms
- > Ethernet plug-in module for IP connection (optional)
- > Designed for 10,000,000 opening and closing cycles



Technical data	mTripod
Housing variants	Long
Application	Indoor and outdoor
Passage width	515 mm
Drive technology	MHTM™
Control system	MGC
Voltage	85–264 VAC, 50/60 Hz
Power consumption	Typical 30 W
Duty cycle	100 %
Housing material	mDure
Housing dimensions (L x W x H)	1300 x 290 x 1050 mm
Enclosure rating	IP 54
Weight	70 kg
Temperature range	-30 bis +55 °C

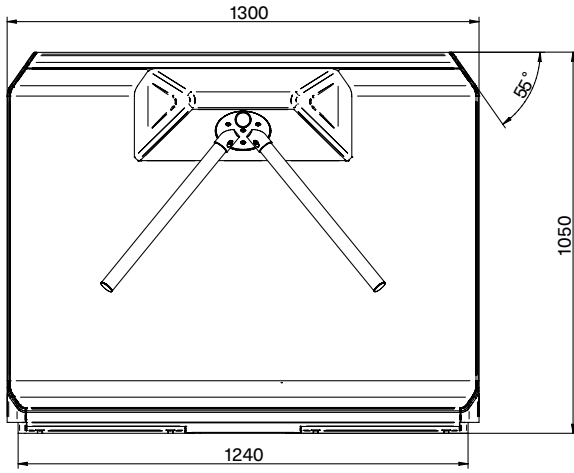
Equipment	
Standard colour	Basalt (sides) Anthracite (frame)
Direction of passage	Freely selectable
Emergency release	On power outage or closing of alarm contacts
Random generator	Integrated in control system
Throughput data acquisition and event log	Integrated in control system

Options	
Special colours	On request
Gate end display	✓
Floor illumination	✓
Frame edge illumination	✓
Drop-arm	✓
Warning on forced entry	✓
Interlock against forced entry	✓
Climb-over warning	✓
Crawl-under warning	✓
Ethernet connection	✓

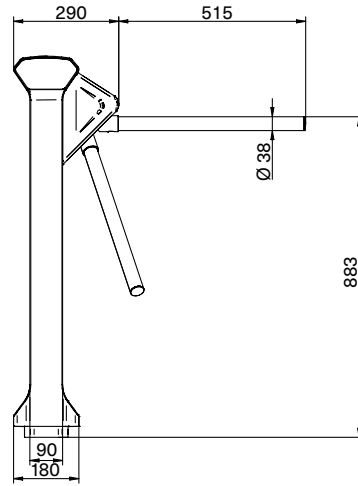
Potential applications	
	

Accessories	
Emergency button	For triggering the alarm contacts and unlocking the turnstile or initiating drop-arm process (optional)
Foundation frame	For integration in new buildings, height adjustable between 10 and 15 cm

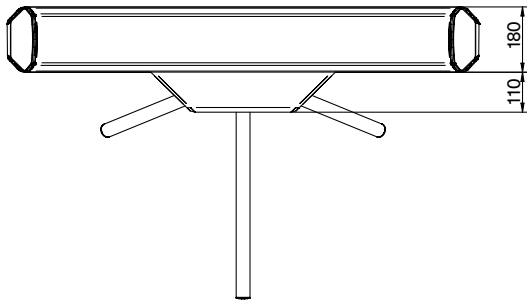
mTripod, view from side



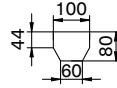
mTripod, view from front



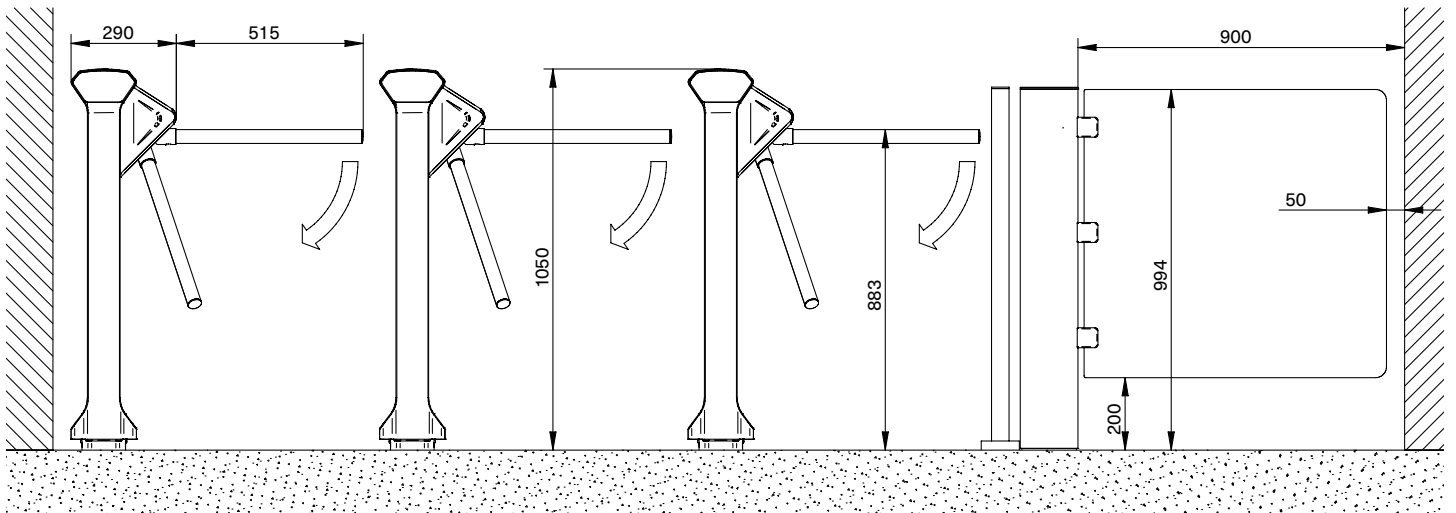
mTripod, view from above



Installation space for reading devices  
(without passage indicator, mounting depth 40 mm)



Line configuration



Space-saving combined applications can be easily implemented with mTripod thanks to its extremely slender design.

MPS swing gates can also be added to create wide passageways for barrier-free access.

The optically matching mGuide railing elements close structural gaps.

# Access to Progress

Magnetic stands for pioneering products – in every way. Our access control systems for vehicles or pedestrians clear the way for thousands of people every day – at car parks, toll gates, stations, airports and in buildings. Our technology is also pioneering, however: with innovative drives, intelligent control systems and well thought-out details it provides maximum safety and longevity. Are you also on the path to Magnetic?



## Vehicle barriers

Access barriers  
Parking barriers  
Toll barriers  
Special barriers



## Pedestrian gates

Turnstiles  
Swing gates  
Tripod gates  
Retractable gates  
Wing gates



## Terminals

Cars  
Trucks

*Germany*  
**MAGNETIC AUTOCONTROL GMBH**  
Grienmatt 20  
79650 Schopfheim  
Phone +49 7622 695-5  
Fax +49 7622 695-800  
E-mail [info@magnetic-germany.com](mailto:info@magnetic-germany.com)

*Australia*  
**MAGNETIC AUTOMATION PTY LTD**  
38 Metrolink Circuit  
Campbellfield, VIC 3061  
Phone +61 3 9339 2900  
E-mail [info@magnetic-oz.com](mailto:info@magnetic-oz.com)

*Austria*  
**FAAC GMBH**  
Münchner Bundesstraße 123  
5020 Salzburg  
Phone +43 662 853395-0  
E-Mail: [at.info@faacgroup.com](mailto:at.info@faacgroup.com)

*Benelux countries*  
**FAAC BENELUX NV/SA**  
Lieven Bauwensstraat 13  
8200 Bruges  
Belgium  
Phone +32 50 451 459  
E-mail [info@magnetic-benelux.com](mailto:info@magnetic-benelux.com)

*Brazil*  
**MAGNETIC AUTOCONTROL LTDA**  
Av. Salim Antônio Curiati, 136  
04690-050 – São Paulo  
Phone +55 11 5660 8500  
E-mail [info@magnetic-br.com](mailto:info@magnetic-br.com)

*China*  
**MAGNETIC CONTROL SYSTEMS CO., LTD**  
No. 3 Building, No. 51  
Lane 1159, Kang Qiao (East) Road  
Kang Qiao Industrial Zone, Shanghai  
Phone +86 21 68182970  
E-mail [info@magnetic-cn.com](mailto:info@magnetic-cn.com)

*France*  
**FAAC FRANCE**  
377 Rue Ferdinand Perrier  
69808 St Priest Cedex  
Phone +33 4 72 21 86 89  
E-mail [info@magnetic-fr.com](mailto:info@magnetic-fr.com)

*India*  
**MAGNETIC AUTOCONTROL PVT LTD.**  
PRS Centre  
Plot No. 373 to 376, 2nd Floor (West Wing)  
1st Cross Street, Nehru Nagar  
Old Mahabalipuram Road  
Kottivakkam (Opp Rayala Technopark, Perungudi)  
Chennai 600041  
Phone +91 44 421 23297  
E-mail [info@magnetic-india.com](mailto:info@magnetic-india.com)

*Middle East*  
**FAAC MIDDLE EAST FZE**  
Dubai Silicon Oasis  
PO Box 54886  
Dubai  
United Arab Emirates  
Phone +971 4 3724193  
E-mail [info@magnetic-uae.com](mailto:info@magnetic-uae.com)

*N. and S. America (excl. Brazil)*  
**FAAC INTERNATIONAL, INC**  
3160 Murell Road  
Rockledge, FL 32955  
USA  
Phone +1 321 635 8585  
E-mail [info@magnetic-usa.com](mailto:info@magnetic-usa.com)

*Scandinavia*  
**FAAC NORDIC AB**  
Box 125  
284 22 Perstorp  
Sweden  
Phone +46 435 77 95 03  
E-mail [info@magnetic-nordic.com](mailto:info@magnetic-nordic.com)

*Southeast Asia*  
**MAGNETIC CONTROL SYSTEMS SDN. BHD**  
No. 17, Jalan Anggerik Mokara 31/54  
Taman Perindustrian Kota Kemuning  
40460 Shah Alam  
Selangor Darul Ehsan  
Malaysia  
Phone +60 3 5123 0033  
E-mail [info@magnetic-malaysia.com](mailto:info@magnetic-malaysia.com)